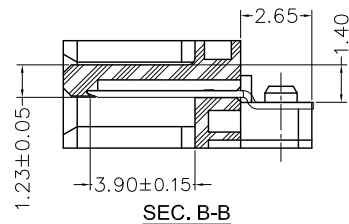
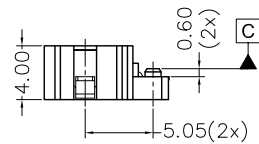
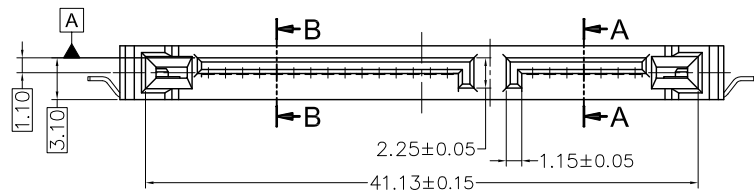
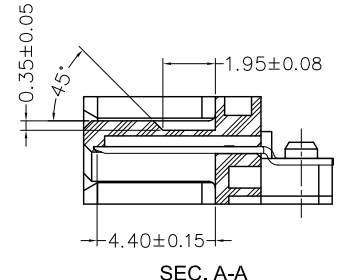


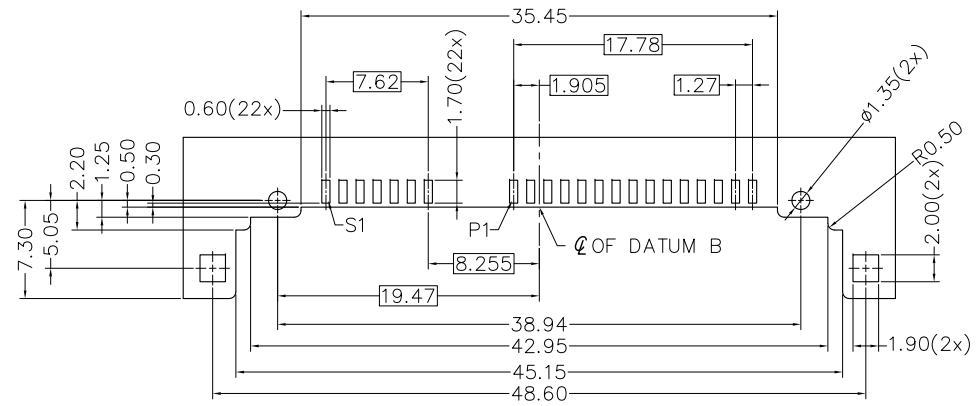
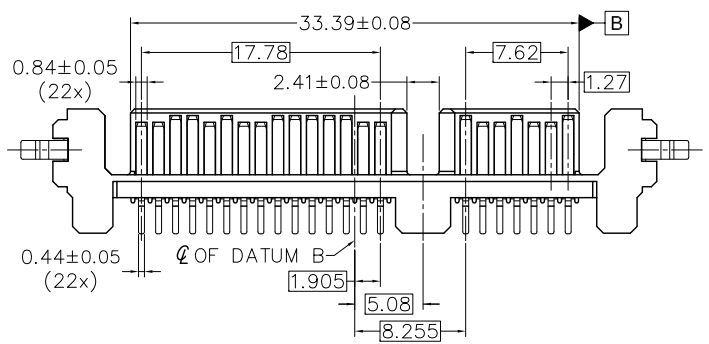
3D SHOWN



SEC. B-B



SEC. A-A



RECOMMENDED PCB LAYOUT
TOLERANCE UNLESS OTHERWISE: ±0.05

DR.	Denice	CHK.	Karl	APP.	Peter
REV.	NEW VERSION	DATE	2012.02.28		
	DESCRIPTION				

UNITS: MM

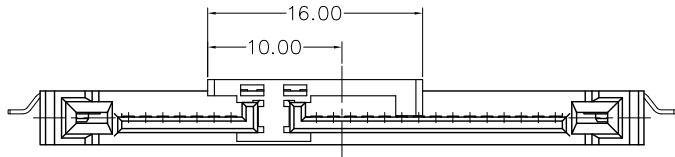
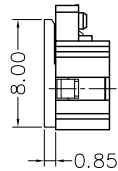
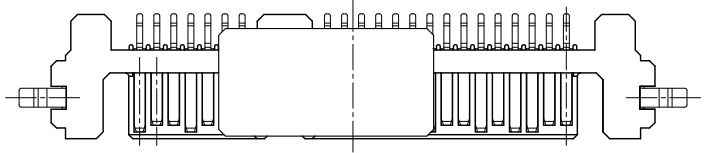
TOLERANCE
(UNLESS SPECIFIED)
0.0 ±0.35
0.00 ±0.20
0.000 ±0.10
ANG. ±2°



TITLE:
SATA COMBO 22P PLUG
STRADDLE MOUNT TYPE

DWG NO.
SSC03A022G6F13_P
FILE PATH
SATA/SSC/SSC03A022G6F13_P1

SHEET
1 / 2
REV.
1

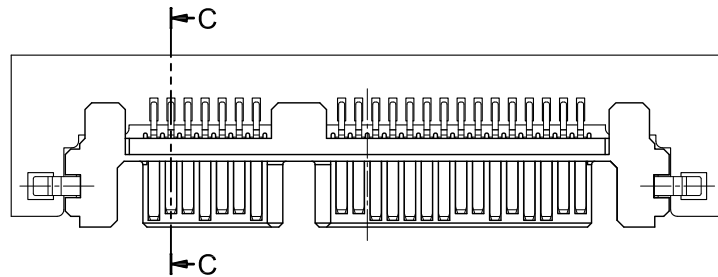


SPECIFICATIONS

> ELECTRICAL	
VOLTAGE RATING	30V
CURRENT RATING	1.5A PER CONTACT
CONTACT RESISTANCE	30 mΩ (INITIAL) 45 mΩ MAX. (AFTER STRESS)
WITHSTANDING VOLTAGE	500 VAC
INSULATION RESISTANCE	1,000 MΩ MIN.
> MECHANICAL	
DURABILITY(MATING CYCLES)	500 CYCLES
> MOUNTING	
TERMINATION	OFFSET MOUNT
> MATERIAL	
HOUSING COLOR	BLACK
CONTACT MATERIAL	COPPER ALLOY
HOUSING MATERIAL	HIGH TEMP THERMOPLASTIC (UL 94V-0)
CONTACT PLATING	15u" AU/ 50u" NI UNDERPLATED
> OTHER FERTURES	
PACKING	TAPE & REEL

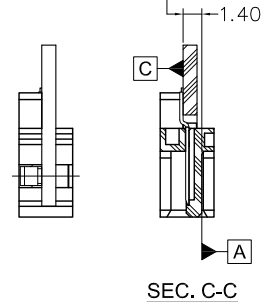
< ORDERING INFORMATION >

SSC03A 022 G6F1 3	
SERIES NO.	PACKING
SATA COMBO PLUG	3: TAPE & REEL
OFFSET RA SMT TYPE	CONTACT PLATING
CONTACT POSITION	15u" SELECTED GOLD
7+15P	



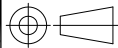
ON BOARD STATUS

DISTANCE BETWEEN DATUM-A & DATUM-C



SEC. C-C

REV.	DESCRIPTION	DATE
	NEW VERSION	2012.02.28
DR. Denice	CHK. Karl	APP. Peter

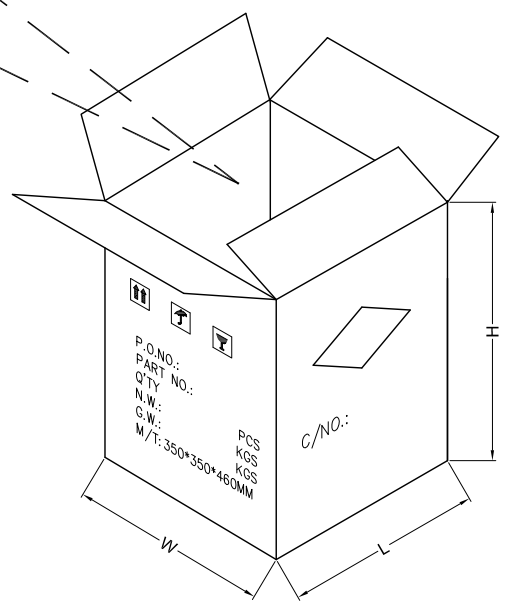
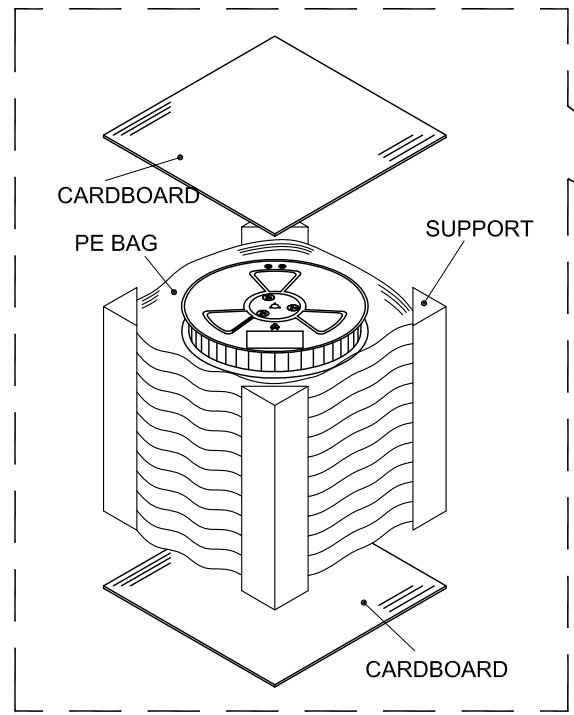
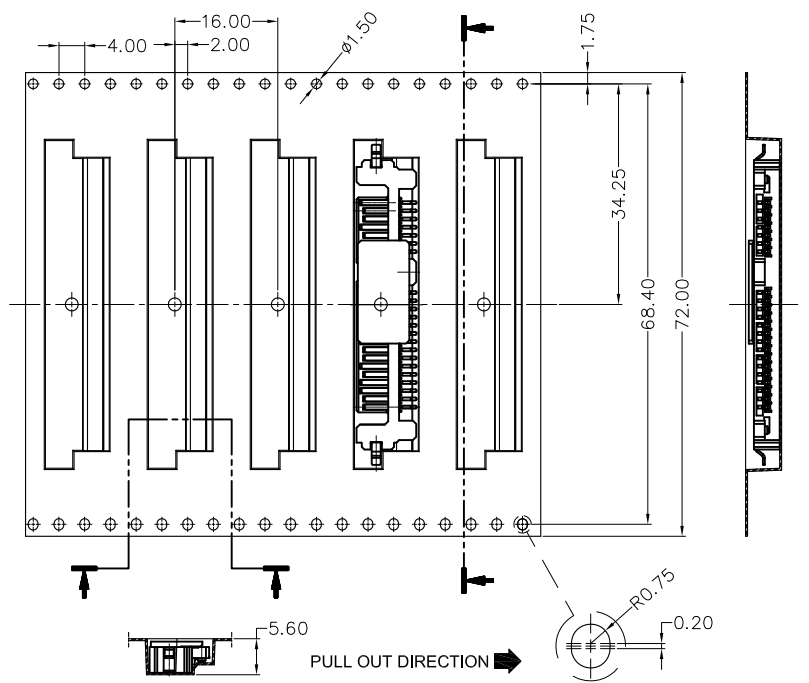
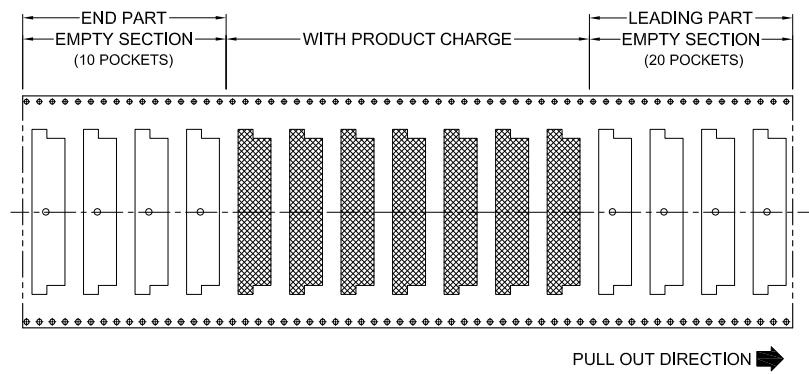
 UNITS: MM	TOLERANCE (UNLESS SPECIFIED)	
	0.0	±0.35
	0.00	±0.20
	0.000	±0.10
		ANG. ±2°



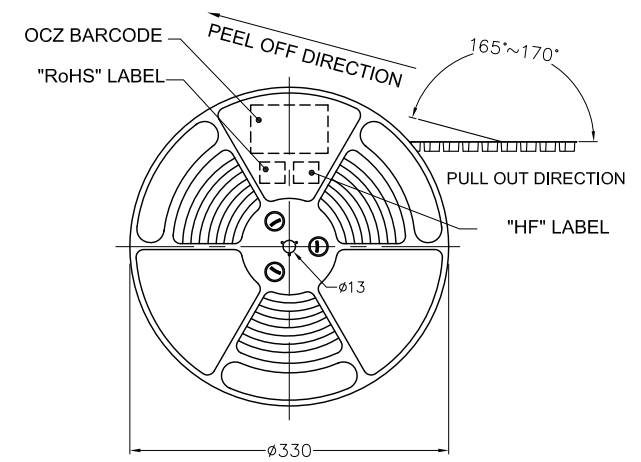
TITLE:
SATA COMBO 22P PLUG STRADDLE MOUNT TYPE

DWG NO.	SHEET
SSC03A022G6F13_P	2 / 2
FILE PATH	REV.
SATA\SSC\SSC03A022G6F13_P1	1

PACKING DRAWING



NOTE:
 1. DIMENSION:
 CARTON: L=350, W=350, H=460
 2. QUANTITY:
 550 PCS/REEL
 2,750 PCS/ CARTON



REV.	NEW REVISION	2012,02,22
DR.	Denice	CHK. Karl
		APP. Peter



TOLERANCE
 (UNLESS SPECIFIED)
 0.0 ±0.10
 0.00 ±0.05
 0.000 ±0.03
 ANG. ±1°



TITLE: SATA 22P COMBO PLUG
 RA TYPE PACKING METHOD

DWG NO.	SSC03A-PK3	SERIES	SSC03	SHEET	1 / 1
FILE PATH	SSC03\SSC03-PK3_C			REV.	C